

# ALUMINUM ELECTROLYTIC CAPACITORS

## VKS series +105°C, Surface Mount Type General Purpose (貼片標準品)

### FEATURES

- V-Chip type operating over wide temperature range  $-40$  to  $+105^{\circ}\text{C}$ .
- Designed for surface mounting on high-density circuit board.
- Emboss carrier tape packing system is available for automatic insertion.

### SPECIFICATIONS

Item	Performance Characteristics										
Operating Temperature Range	$-40^{\circ}\text{C} \sim +105^{\circ}\text{C}$										
Rated Voltage Range	6.3~50W.V.										
Capacitance Range	0.1~1500 $\mu\text{F}$										
Capacitance Tolerance	$\pm 20\%$ ( $20^{\circ}\text{C}$ , 120Hz)										
Leakage Current (MAX)	I=0.01CV or 3uA whichever is greater.(After 2 minutes at $20^{\circ}\text{C}$ ) I=Leakage Current(uA) , C=Nominal Capacitance(uF) , V=Rated Voltage(V)										
Dissipation Factor ( $\tan \delta$ )	When nominal capacitance is over 1000uF, $\tan \delta$ shall be added 0.02 to the listed value with increase of every 1000uF										
	Rated voltage (V)	6.3	10	16	25	35	50	63	100	MAX ( $20^{\circ}\text{C}$ 120Hz)	
	Tan $\delta$	0.30	0.26	0.22	0.16	0.14	0.12	0.18	0.18		
Low Temperature Stability Impedance Ratio	Rated Voltage(V)	6.3	10	16	25	35	50	63	100		
	Z( $-25^{\circ}\text{C}$ )/Z( $+20^{\circ}\text{C}$ )	4	3	2	2	2	2	3	3	MAX (120Hz)	
	Z( $-40^{\circ}\text{C}$ )/Z( $+20^{\circ}\text{C}$ )	8	6	4	4	3	3	4	4		
oad Life	After apply rated voltage for 1000 hours at $+105^{\circ}\text{C} \pm 2^{\circ}\text{C}$ and then being stabilized at $+20\%$ , capacitor shall meet the following limits										
	Capacitance Change	within $\pm 20\%$ of the initial value (6.3 W.V of miniature: $\pm 30\%$ )									
	Dissipation Factor	Not more than 200% of the specified value.									
	Leakage Current	Not more than the specified value.									
Shelf Life	After storage 1000 hours at $+105^{\circ}\text{C}$ with no voltage applied and then being stabilized, they meet the specified value life characteristics listed above										
Standard	According to JIS C 5101										

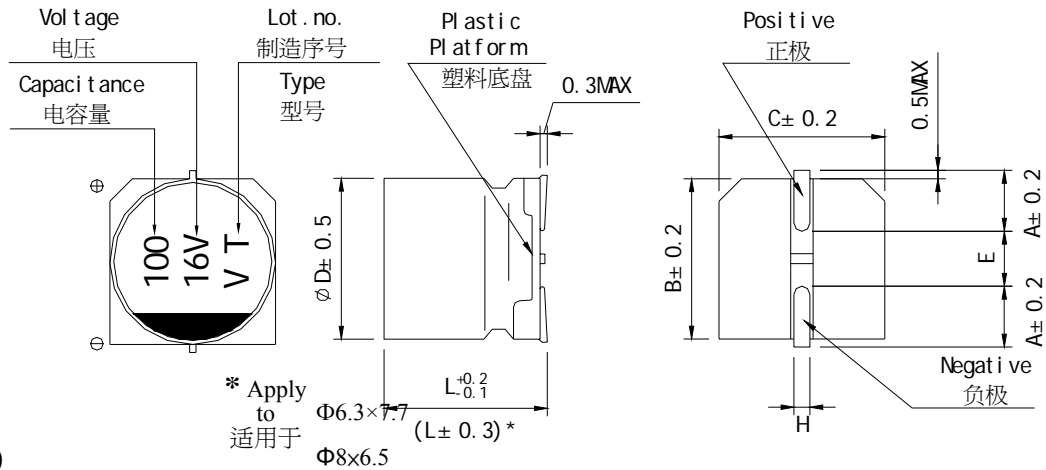
# ALUMINUM ELECTROLYTIC CAPACITORS

## VKS series +105°C, Surface Mount Type General Purpose (贴片标准品)

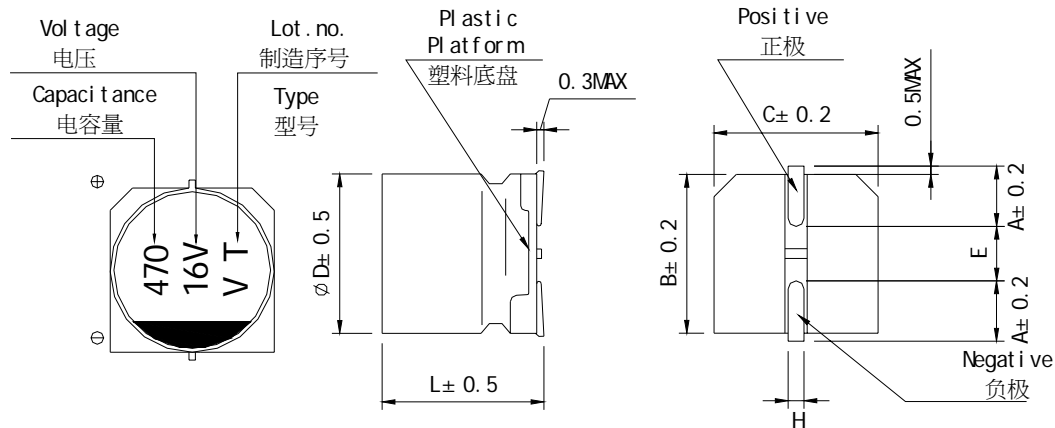
### Case size table

#### DIMENSIONS (mm)

#### 1. $\phi 4 \sim \phi 6.3$



#### 2. $\phi 8 \sim \phi 10$



	4 × 5.4	5 × 5.4	6.3 × 5.4	6.3 × 7.7	8 × 6.5	8 × 10.5	10 × 10.5
A	1.8	2.1	2.4	2.4	3.3	2.9	3.2
B	4.3	5.3	6.6	6.6	8.3	8.3	10.3
C	4.3	5.3	6.6	6.6	8.3	8.3	10.3
E	1.0	1.3	2.2	2.2	2.3	3.1	4.5
L	5.4	5.4	5.4	7.7	6.5	10	10
H	0.5 ~ 0.8					0.8 ~ 1.1	

# ALUMINUM ELECTROLYTIC CAPACITORS

**VKS** series +105°C, Surface Mount Type General Purpose(貼片標準品)

## STANDARD SIZE AND PERMISSIBLE RIPPLE CURRENT

Ripple Current (mA 105°C, 120Hz) r.m.s

W.V Cap(μF)	6.3		10		16		25		35		50	
	0J		1A		1C		1E		1V		1H	
0.1											4x5.4	1
0.22											4x5.4	2
0.33											4x5.4	3
0.47											4x5.4	5
1											4x5.4	10
2.2											4x5.4	16
3.3											4x5.4	16
4.7							4x5.4	22	4x5.4	22	5x5.4	23
10					4x5.4	28	4x5.4	22	4x5.4	22	6.3x5.4	35
22	4x5.4	29	4x5.4	28	4x5.4	28	5x5.4	35	5x5.4	35	6.3x7.7	51
33	4x5.4	29	4x5.4	29	5x5.4	35	6.3x5.4	65	6.3x5.4	42	6.3x7.7	70
47	4x5.4	36	5x5.4	43	5x5.4	39	6.3x5.4	70	6.3x5.4	50	6.3x7.7	63
100	5x5.4	47	6.3x5.4	71	6.3x5.4	70	6.3x7.7	91	8x10.5	120	8x10.5	110
220	6.3x5.4	74	6.3x7.7	105	8x10.5	150	8x10.5	160	8x10.5	170	10x10.5	150
330	6.3x7.7	105	8x10.5	196	8x10.5	170	8x10.5	180	10x10.5	250		
470	8x10.5	300	8x10.5	200	8x10.5	340	10x10.5	360				
1000	8x10.5	300	10x10.5	400								
1500	10x10.5	480										

Case Size ΦD x L(mm)